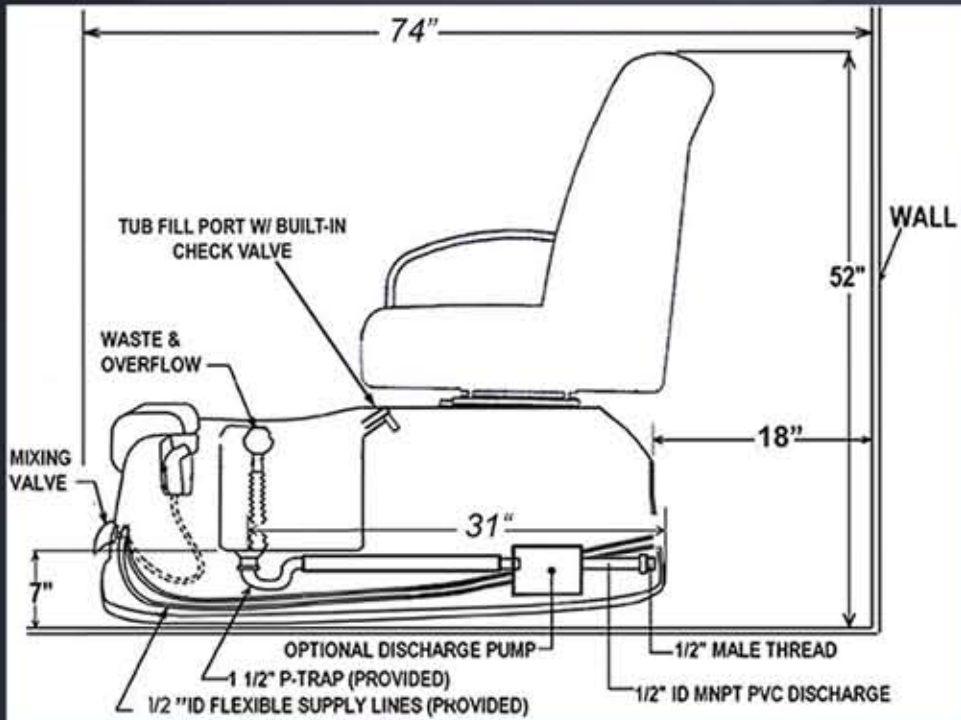


PRO 1000 SPECS

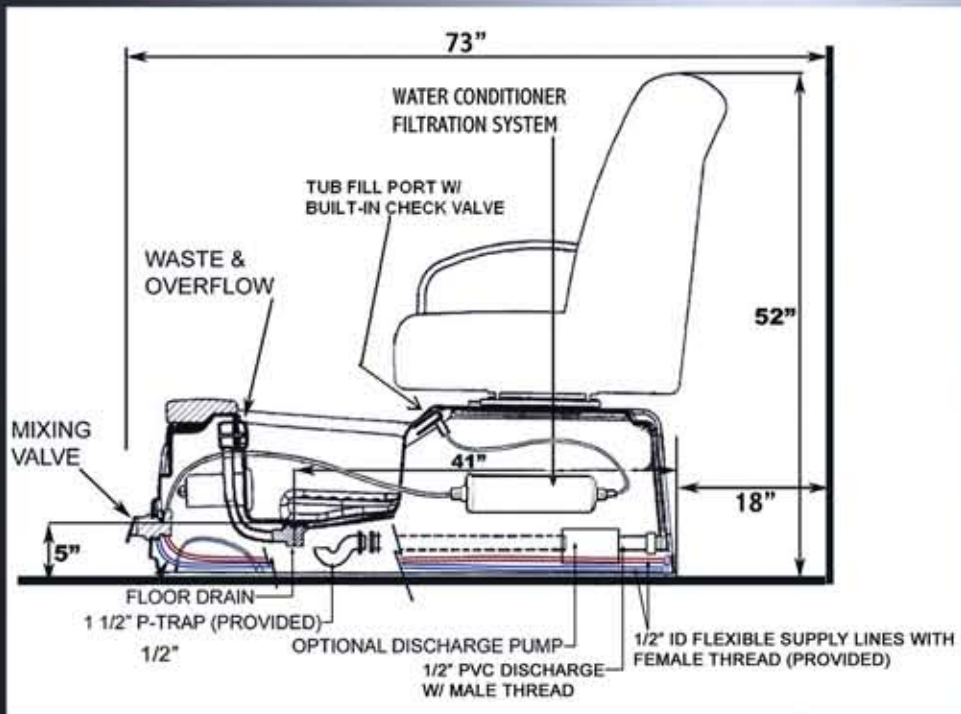


SPASHELL COLORS

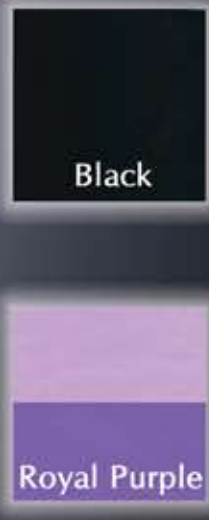


UPHOLSTERY COLORS

PRO 3000 SPECS



SPASHELL COLORS



UPHOLSTERY COLORS

PRODUCT CERTIFICATIONS

NSF NSF Protocol P182 Pipeless Hydrotherapy Jets

UL LISTED All components are listed to applicable UL standards and requirements by Underwriter Laboratory, Inc.

Due to our policy of continuous improvements, all specifications are subject to change without prior notice.
 *Note: All dimensions and weights are approximate

TO ORDER, contact your local distributor, or call our Pro Spa Sales Department at 1-800-630-4776 or 214-503-1624, fax 214-503-9574. Visit us online at www.prospa1.com. Company Headquarters: 3650 Miller Rd, Ste. 410, Garland, TX 75041

PRO SPA PIPELESS PEDICURE SPAS



100% CLEANABLE PIPELESS™ WHIRLPOOL



YOU'RE PROTECTED

PIONEERS of Pipeless™ Technology

Since pioneering the Pipeless™ technology in the salon & spa industry, Pro Spa remains at the forefront of pedicure spa manufacturing. By changing an engineering design, Pro Spa has changed an entire industry. The beauty industry has witnessed a tremendous demand for Pipeless™ technology, as nail care clients, technicians and salon owners have become increasingly concerned about sanitation. Pro Spa has fulfilled the demands for a cleaner spa, to become the premiere source for pedicure spas equipped with the only certified, 100% cleanable Sanijet® Pipeless™ whirlpool system.



Located in Garland, Texas, our sixty thousand square feet manufacturing and testing facility is capable of producing high volumes of pedicure spas and shipping them anywhere in the continental U.S. in less than seven days. Our sales department will assist you with any questions and provide all information needed to help you choose the right pedicure spa. A detailed sales quote can be given within minutes, so that you can know exactly what will be included and be more knowledgeable when shopping around. Our technical support will help guide you through installation and troubleshoot any problems that may arise before, during or after the purchase. We invite you to come visit our showroom or any of our dealers' to experience the comfort and uniqueness of a "Pro Spa" first hand. Look for us at trade shows nationwide.

Take Your Pedicures to the Maxx!

PEDI MAXX pedicure soak mineral crystals turn ordinary pedicures into lavishing spa treatments. Available in seven aromatic scents, it's the complete solution for sanitizing footbaths while softening the skin with nourishing aloe. Fresh botanical extracts stimulate the senses, creating a spa ritual your clients will cherish.



with aloe • sea salt • tea tree oil



4 oz



8 oz



64 oz

- Also available in 128 oz
- 4 oz available in a 7-pack sampler kit only



Spa Chair Disinfectant

sanitizing made simple.

The Spa Chair Disinfectant by Pro Spa is a simple solution to the complicated choices that nail technicians face when searching for the right product to sanitize salon equipment. This hospital grade, EPA registered, foaming aerosol spray kills 99.99% of germs. It effectively controls the growth of mold and mildew and the odors caused by them. The unique foaming action lifts germs off hard surfaces to clean, disinfect and deodorize without scouring or scratching. Just spray and wipe clean!



EPA
REGISTERED
No. 706-65-82287

Kills 99.99%
of All Germs

HospitalGrade
Foaming Aerosol

Disinfects and
Deodorizes

Just Spray and Wipe
Clean

No Scouring
No Scratching

TO ORDER, contact your local distributor, or call our Pro Spa Sales Department at 1-800-630-4776 or 214-503-1624, fax 214-503-9574. Visit us online at www.prospa1.com.
Company Headquarters: 3650 Miller Rd, Ste. 410, Garland, TX 75041

PRO 1000 SERIES



model: 1000 LS



model: 1000 CTA



model: 1000 Deluxe



PATENTED WATER
FILTRATION SYSTEM
PRO SPA'S EXCLUSIVE
TECHNOLOGY



PIPELESS
PRO SPA
WHIRLPOOL



SANJET
PIPELESS HYDROTHERAPY



model: 1000 DELUXE



PRODUCT FEATURES:

1. Pipeless jet/filter device removable by hand.
2. Berkline 6-roller Shiatsu massage chair.
3. Deeply padded seat cushion and armrests.
4. Retractable manicure trays.
5. Manual recline and sliding rail.
6. Adjustable height footrest.
7. Mood therapy tub light (standard or multicolor LCD).
8. Retractable handsprayer.
9. Hand-held remote controller.
10. Chair swivels 180 degrees.

PRODUCT SPECIFICATION:

1. Dimensions - 56"L x 28 1/2"W x 54"H
2. Weight - 150 lbs(empty), 200 lbs(ship)
3. Tub Capacity - 5 US gallons
4. Material - gel coating reinforced with fiberglass
5. Upholstery - vinyl
6. Whirlpool system - 2 patented Pipeless jets by Sanijet (115 volt, 60 hertz, 2 Amp, each @ 18GPM)
7. Massage motor - 12 volt DC
8. Discharge Pump (optional) - 3/4HP, 115 volt, 60 hertz, 3.2 Amp, maximum flow rate 500 GPH
9. Power Source - 12 volt AC, 15 Amp, 60 hertz (dedicated circuit, GFCI protected, hard wired)
10. Plumbing options - a. floor drain, b. wall drain, c. discharge pump

model: 1000 GTA



PRODUCT FEATURES:

1. Pipeless jet/filter device removable by hand.
2. 8-roller shiatsu massage.
3. Vibrating seat cushion.
4. Swing-up armrests.
5. Power recline and sliding rail.
6. Adjustable height footrest.
7. Mood therapy tub light (standard or multi color LCD).
8. Retractable handsprayer.
9. Hand-held remote controller.
10. Back cushion compartment accessible for adding extra padding.
11. Water Filtration System.

PRODUCT SPECIFICATION:

1. Dimensions - 56"L x 28 1/2"W x 54"H
2. Weight - 150 lbs(empty), 200 lbs(ship)
3. Tub Capacity - 5 US gallons
4. Material - gel coating reinforced with fiberglass
5. Upholstery - vinyl
6. Whirlpool system - 2 patented Pipeless jets by Sanijet (115 volt, 60 hertz, 2 Amp, each @ 18GPM)
7. Massage motor - 12 volt DC
8. Discharge Pump (optional) - 3/4HP, 115 volt, 60 hertz, 3.2 Amp, maximum flow rate 500 GPH
9. Power Source - 12 volt AC, 15 Amp, 60 hertz (dedicated circuit, GFCI protected, hard wired)
10. Plumbing options - a. floor drain, b. wall drain, c. discharge pump

PARIS

by Pro Spa



PATENTED WATER FILTRATION SYSTEM



UPHOLSTERY COLORS

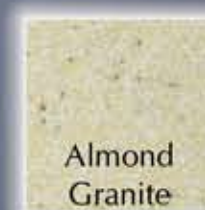


PRODUCT FEATURES:

1. Pipeless jet/filter device removable by hand.
2. 6-roller shiatsu massage.
3. Vibrating seat cushion.
4. Swing-out armrests.
5. Manicure trays.
6. Power recline and sliding rail.
7. Adjustable height, ergonomic footrest.
8. Mood therapy tub light (standard or multi color LCD).
9. Retractable handsprayer.
10. Hand-held remote controller.
11. Back cushion compartment accessible for adding extra padding.
12. Water Filtration System.
13. Interchangeable body panels.

Overall dimensions without accessories, seat upright:

- 51"L (130cm) x 32"W (81cm) x 56"H (142cm)
- Shipping dimensions:** 55"L (140cm) x 35"W (89cm) x 44"H (112cm)*
- Empty weight:** 200 lbs (91kg)*
- Shipping weight:** 210 lbs (95kg)*
- Capacity of basin:** 5 U.S. Gallons
- Construction:** Acrylic reinforced with fiberglass, self-contained, pre-plumbed
- Chair Upholstery:** 98% vinyl, 2% polyurethane
- Massage Motor:** 8-roller shiatsu massage with 4 vibrating seat motors, 12V AC, 600mA, Adapter included
- Pipeless Whirlpool System:** 2 patented jets with removable impeller caps, 115V, 60Hz, 2 Amp
- Power source:** 120V AC/ 15 Amp, 60Hz, (GFCI Protected)



SPASHELL COLORS



BODY PANEL COLORS



PRO 3000 SERIES



model: 3000 DELUXE



model: 3000 CTA



model: 3000 CTA



model: 3000 DELUXE



model: 3000 CTA



PRODUCT FEATURES:

1. Pipeless jet/filter device removable by hand.
2. 8-roller shiatsu massage.
3. Vibrating seat cushion.
4. Swing-up armrests.
5. Power recline and sliding rail.
6. Adjustable height footrest.
7. Mood therapy tub light (standard or multi color LCD).
8. Retractable handsprayer.
9. Hand-held remote controller.
10. Back cushion compartment accessible for adding extra padding.
11. Water Filtration System.

PRODUCT SPECIFICATION:

1. Dimensions - 55"L x 29"W x 54"H
2. Weight - 150 lbs(empty), 200 lbs(ship)
3. Tub Capacity - 6.5 US gallons
4. Material - Acrylic reinforced with fiberglass
5. Upholstery - vinyl
6. Whirlpool system - 2 patented Pipeless jets by Sanijet (115 volt, 60 hertz, 2 Amp, each @ 18GPM)
7. Massage motor - 12 volt DC
8. Discharge Pump (optional) - 3/4HP, 115 volt, 60 hertz, 3.2 Amp, maximum flow rate 500 GPH
9. Power Source - 12 volt AC, 15 Amp, 60 hertz (dedicated circuit, GFCI protected, hard wired)
10. Plumbing options - a. floor drain, b. wall drain, c. discharge pump

model: 3000 DELUXE



PRODUCT FEATURES:

1. Pipeless jet/filter device removable by hand.
2. Berkline 6-roller Shiatsu massage chair.
3. Deeply padded seat cushion and armrests.
4. Retractable manicure trays.
5. Manual recline and sliding rail.
6. Adjustable height footrest.
7. Mood therapy tub light (standard or multicolor LCD).
8. Retractable handsprayer.
9. Hand-held remote controller.
10. Chair swivels 180 degrees.
11. Water Filtration System.

PRODUCT SPECIFICATION:

1. Dimensions - 55"L x 29"W x 54"H
2. Weight - 150 lbs(empty), 200 lbs(ship)
3. Tub Capacity - 6.5 US gallons
4. Material - Acrylic reinforced with fiberglass
5. Upholstery - vinyl
6. Whirlpool system - 2 patented Pipeless jets by Sanijet (115 volt, 60 hertz, 2 Amp, each @ 18GPM)
7. Massage motor - 12 volt DC
8. Discharge Pump (optional) - 3/4HP, 115 volt, 60 hertz, 3.2 Amp, maximum flow rate 500 GPH
9. Power Source - 12 volt AC, 15 Amp, 60 hertz (dedicated circuit, GFCI protected, hard wired)
10. Plumbing options - a. floor drain, b. wall drain, c. discharge pump

The Napoleon



PATENTED WATER
FILTRATION SYSTEM



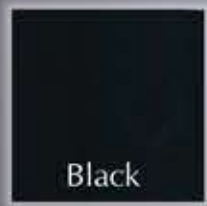
U
P
H
O
L
S
T
E
R
Y
C
O
L
O
R
S



Burgundy



Tan



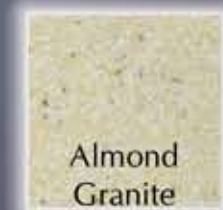
Black



Royal Purple



Grey Granite



Almond
Granite



Pearl Granite

S
P
A
S
H
E
L
L
C
O
L
O
R
S



PRODUCT FEATURES:

1. Pipeless jet/filter device removable by hand.
2. 6-roller shiatsu massage.
3. Vibrating seat cushion.
4. Swing-up armrests.
5. Power recline and sliding rail.
6. Adjustable height footrest.
7. Mood therapy tub light (standard or multi color LCD).
8. Retractable handsprayer.
9. Hand-held remote controller.
10. Back cushion compartment accessible for adding extra

PRODUCT SPECIFICATION:

1. Dimensions - 55"L x 28"W x 52"H
2. Weight - 150 lbs(empty), 200 lbs(ship)
3. Tub Capacity - 5 US gallons
4. Material - gel coating reinforced with fiberglass
5. Upholstery - vinyl
6. Whirlpool system - 2 patented Pipeless jets by Sanijet (115 volt, 60 hertz, 2 Amp, each @ 18GPM)
7. Massage motor - 12 volt DC
8. Discharge Pump (optional) - 3/4HP, 115 volt, 60 hertz, 3.2 Amp, maximum flow rate 500 GPH
9. Power Source - 12 volt AC, 15 Amp, 60 hertz (dedicated circuit, GFCI protected, hard wired)
10. Plumbing options - a. floor drain, b. wall drain, c. discharge pump